



LED Downlight
ANUP-DL288 Series



Introduction

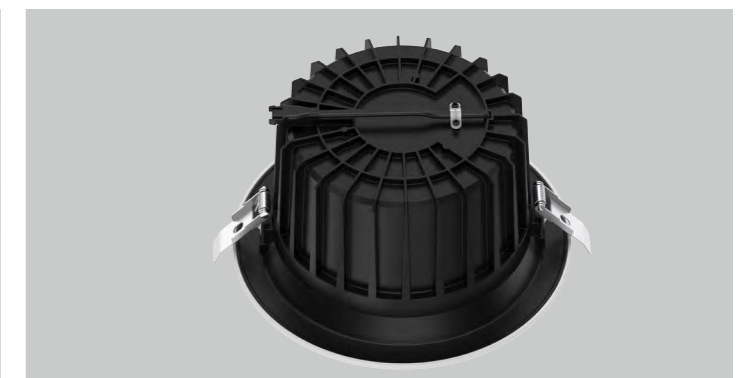
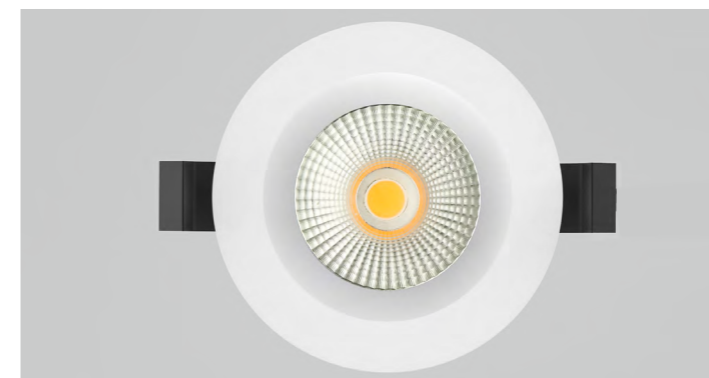
Antipodes LED ANUP-DL288 COB fixed downlight has a flexible specification with 60deg faceted reflector and COB high power LED chip. ADC12 aluminum housing provides excellent thermal dissipation. LED Module uses a standard easy replaceable module. It supports a great compatibility for non- dim, triac dim, 0-10V, DALI dim with worldwide dimmers.

Features

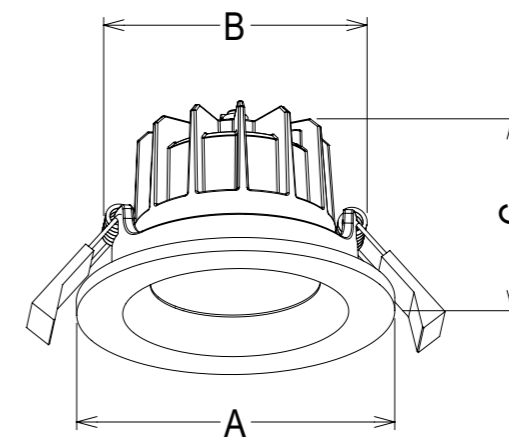
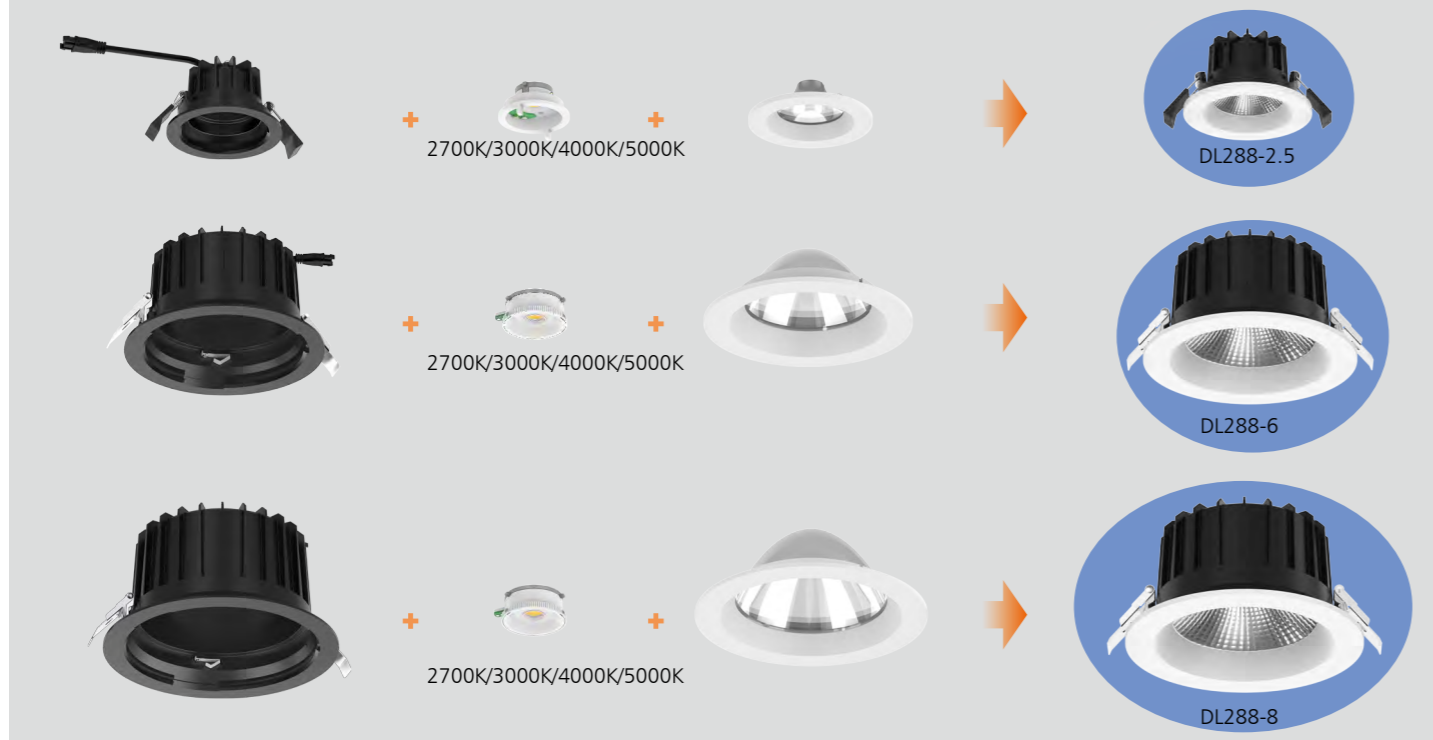
- LED module design, quick assembly.
- IP54 waterproof in front part (IP40 behind ceiling)
- High lumen efficiency, 100lm/W.
- External flicker free driver.
- Dimming: Non-dim, triac, 0-10V, DALI.

Application Areas

It is designed for general lighting applications in office, supermarket, shop, school, hotel etc. It is also widely used for public areas, such as stairway, lobby, reception, corridors etc.



Modular design:



Measurement

Code	Dimension(mm)			Size(mm)	Product Weight (Kg)	
	A	B	C		N.W/PC	G.W/PC
DL288-2.5	Ø90	Ø75	60	Ø90*60	0.25	0.3
DL288-6	Ø172	Ø146	96	Ø172*96	0.78	1
DL288-8	Ø228	Ø193	125	Ø228*125	1.26	1.56

Technical Data Sheet

Code No.	ANUP-DL288-2.5-10W	ANUP-DL288-6-18W	ANUP-DL288-6-25W	ANUP-DL288-8-25W	ANUP-DL288-8-30W		
Dimension(mm)	Ø90*60	Ø172*96		Ø228*125			
Cutout (mm)	75-83	150-160		195-210			
Watt(W)	10W	18W	25W	25W	30W		
Rated Input Voltage(V)	AC230V						
Input Voltage(V)	AC220-240V						
LED Module Input	DC33-38V						
Light Source	COB						
SDCM	<6						
CCT(K)	1-CCT: 2700K/3000K/4000K/5000K						
CCT Selection DIP Switch	NO						
Luminous Flux (lm) ±5%	Non-DIM	1-CCT	750-1000	1770-2150	2300-2800	2150-2900	2700-3200
		DIM	750-1000	1700-2020	2150-2650	2050-2680	2400-3030
	Non-DIM	3-CCT	-	-	-	-	-
		DIM	-	-	-	-	-
CRI	≥80						
Beam Angle (°)	60°						
UGR	-						
LED Driver	Built-out						
Dimming Option	Triac/0-10V/DALI						
Sensor	-						
Emergency Kits	-						
Electrical Class	Class II						
Ingress Protection (IP Rating)	IP54(only for the LED cover) IP40(for other part)						
Impact Resistance (IK Rating)	-						
Product Finishing(Base)	White RAL 9016 /Black RAL9005						
Materials of Optics	Aluminum						
Materials of Housing	Aluminum Die-casting						
Lifetime (hr)	50,000h						
Glow wire test (°C)	850°C						
Operating Temp. (°C)	-20°C ~45°C						
Storage Temp. (°C)	-20°C ~65°C						
Installation	Recessed						

Driver Datasheet (Non-dimmable)

Total load wattage		10W	18W	25W	30W
Output	Output Voltage range	DC30-40V			
	Rated output current	250mA	450mA	600mA	750mA
	Line Regulation	±5%			
	Setup, Rise Time	≤500ms @230V			
	Flickering Index	0.5%(NO RISK)	0.8%(NO RISK)	0.5%(NO RISK)	
Input	Input Voltage	AC200-264V			
	Rated Input Voltage(V)	AC220-240V			
	Frequency	50/60Hz			
	Input Current	≤0.06A	≤0.11A	≤0.14A	≤0.17A
	Rated Input Current	≤0.06A	≤0.1A	≤0.13A	≤0.16A
	Power Factor	0.9			
	THD	<20% @230V			
	Efficiency	≥86%	≥88%		≥90%
	No load wattage	<0.5W@230V			
Protection	Short circuit protection	Pass			
	Over voltage protection	Pass			
	Over temperature protection	Pass			
Safety &EMC	Withstand voltage	I/P-O/P:3.75kVac, <5mA 60S			
	Isolation Resistance	I/P-O/P: 500VDC, ≥100M Ω			
	Surge	IEC/EN61000-4-5(P<25W; L-N:500V,L/N-PE:1kV)		IEC/EN61000-4-5(P ≥ 25W; L-N:1kV,L/N-PE:2kV)	
	EMC Emission	EN55015, EN61000-3-2			
EMC Immunity	EN61000-4-2,3,4,5,6,8,11; EN61547				

Driver Datasheet (Triac Dimmable)

Total load wattage		10W	18W	25W	30W
Output	Output Voltage range	DC30-40V			
	Rated output current	230mA	430mA	580mA	700mA
	Line Regulation	±5%			
	Setup, Rise Time	≤500ms @230V			
	Flickering Index	5%(NO RISK)	4%(LOW RISK)	3%(LOW RISK)	
Input	Input Voltage	AC200-264V			
	Rated Input Voltage(V)	AC220-240V			
	Frequency	50Hz			
	Input Current	≤0.06A	≤0.11A	≤0.14A	≤0.17A
	Rated Input Current	≤0.06A	≤0.1A	≤0.13A	≤0.16A
	Power Factor	0.9			
	THD	<20% @230V			
	Efficiency	≥80%	≥83%	≥84%	
	No load wattage	<0.5W@230V			
Protection	Short circuit protection	Pass			
	Over voltage protection	Pass			
	Over temperature protection	Pass			
Safety & EMC	Withstand voltage	I/P-O/P:3.75KVac, <5mA 60S			
	Isolation Resistance	I/P-O/P: 500VDC, ≥100M Ω			
	Surge	IEC/EN61000-4-5(P<25W; L-N:500V/L/N-PE:1KV)		IEC/EN61000-4-5(P ≥ 25W; L-N:1KV/L/N-PE:2KV)	
	EMC Emission	EN55015, EN61000-3-2			
EMC Immunity	EN61000-4-2,3,4,5,6,8,11; EN61547				

Driver Datasheet (0-10V/DALI Dimmable)

Total load wattage		10W	18W	25W	30W
Output	Output Voltage range	DC30-40V			
	Rated output current	250mA	450mA	600mA	700mA
	Line Regulation	±5%			
	Setup, Rise Time	<1s @230V			
	Flickering Index	4%(NO RISK)	5%(NO RISK)	6%(NO RISK)	6%(NO RISK)
Input	Input Voltage	AC180-265V			
	Rated Input Voltage(V)	AC200-240V			
	Frequency	50/60HZ			
	Input Current	≤0.07A	≤0.12A	≤0.16A	≤0.19A
	Rated Input Current	≤0.06A	≤0.1A	≤0.14A	≤0.17A
	Power Factor	0.9			
	THD	<20% @230V			
	Efficiency	≥83%	≥84%	≥86%	≥86%
	No load wattage	<0.5W@230V			
Protection	Short circuit protection	Pass			
	Over voltage protection	Pass			
	Over temperature protection	Pass			
Safety & EMC	Withstand voltage	I/P-O/P:3.75KVac, <5mA 60S			
	Isolation Resistance	I/P-O/P: 500VDC, ≥100M Ω			
	Surge	IEC/EN61000-4-5(P<25W; L-N:500V/L/N-PE:1KV)		IEC/EN61000-4-5(P ≥ 25W; L-N:1KV/L/N-PE:2KV)	
	EMC Emission	EN55015, EN61000-3-2			
EMC Immunity	EN61000-4-2,3,4,5,6,8,11; EN61547				

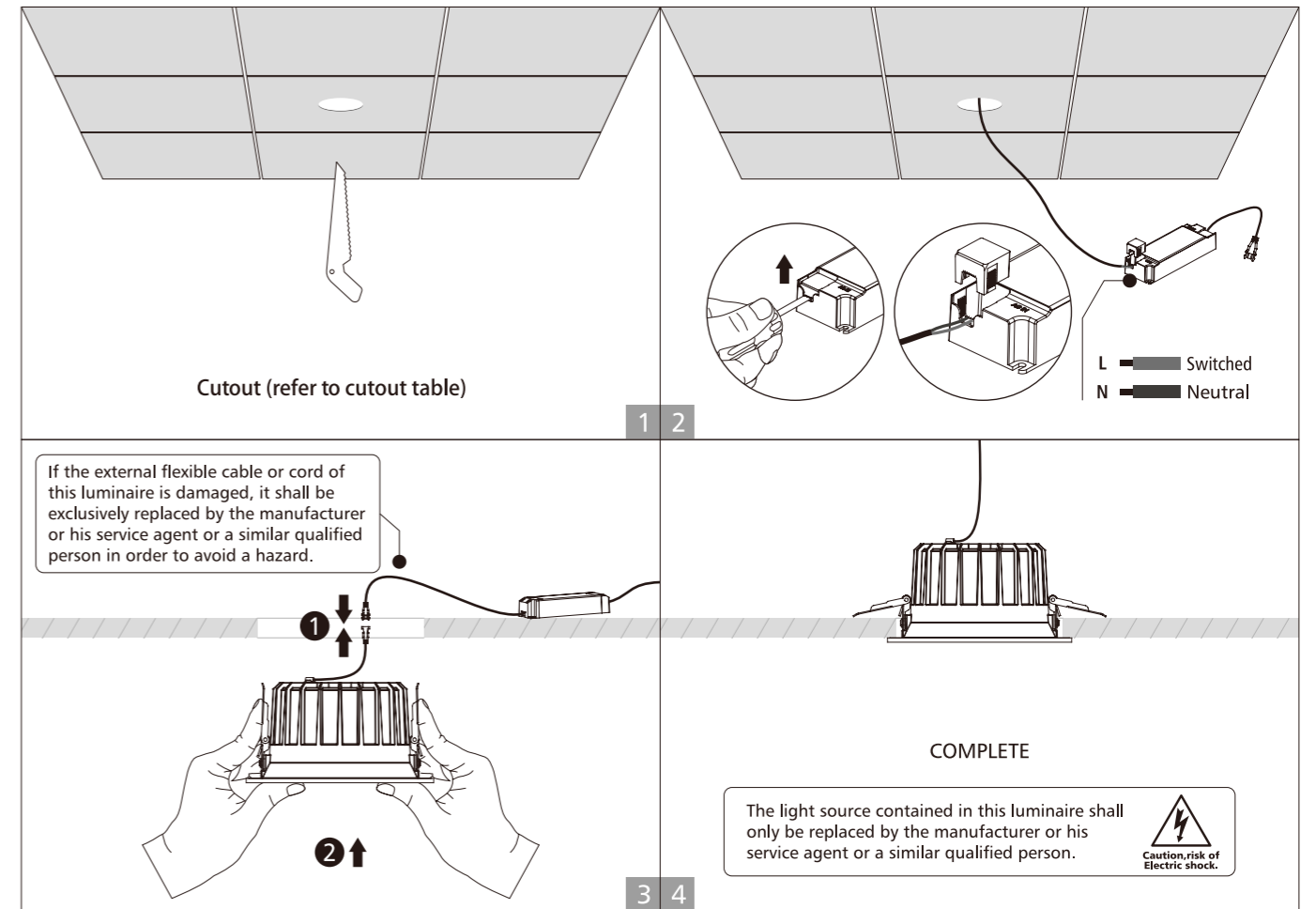
Installation Procedure

WARNING

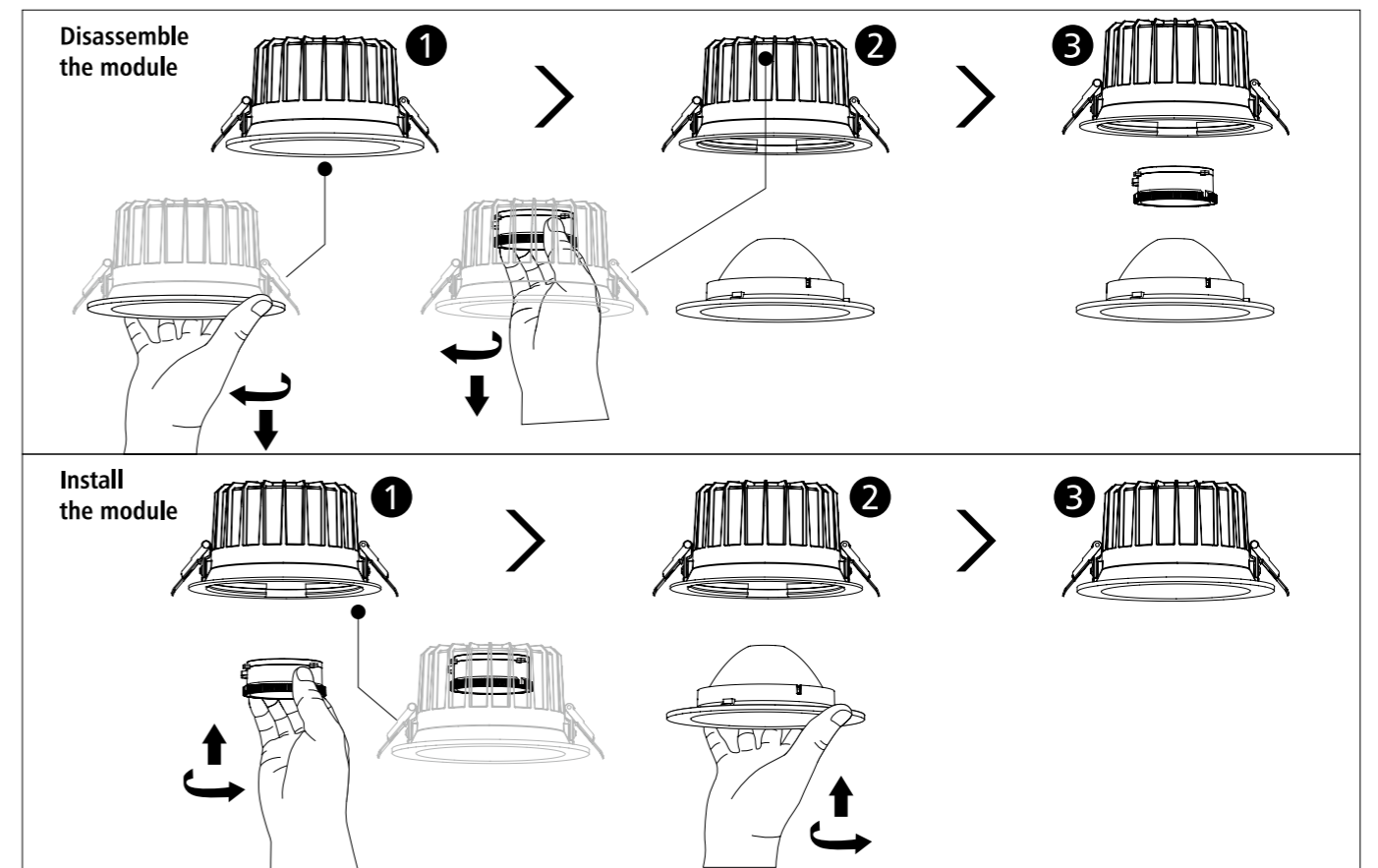
1. Switch off power supply before installation / maintenance.
2. Switch on only after complete installation and examination of the circuit.
3. Professional electrician for installation and maintenance only.



Downlight with external driver



Replace module





▼ www.antipodesled.co.nz sales@antipodesled.co.nz TEL: 021 54448 ▼

Antipodes LED NZ Limited - 23/38 Ashley Place, Papamoa, 3118 Tauranga New Zealand