

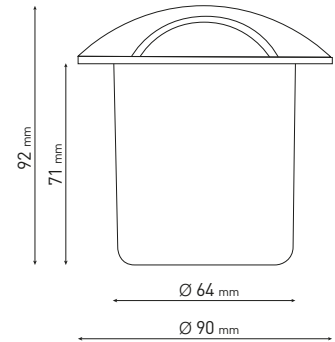
201066 HYDROFLOOR MICRO STEEL 02 LED



Round ground-recessed drive-over luminaire for outdoor installation, top cover with two ways 2x90° light emission. Body and top cover completely realized in stainless steel AISI 304, tempered safety glass, moulded silicone gasket. Built-in LED driver 220-240V 50-60Hz, with 2 CREE XP-E2 LED. IP67 rating.

Energy Label **A++**

- Material: stainless steel AISI 304
- NR. 2 CREE "XP-E2" LED
- Electronic transformer 220/240V 50/60Hz included
- Silicone rubber gasket
- Tempered safety glass.
- Max static weight resistance 2000 Kg
- Polypropilene recessing box included.
- M12 cable gland
- 1 mt. neoprene power cable included



	LIGHT SOURCE	LED COLOR*	LIGHT BEAM OPTIONS	LUMEN OUTPUT (lm)	LUMINOUS EFFICACY (lm/w)	COLORS OPTIONS
5 WATT 220-240V 50-60HZ ELECTRONIC IP67 1,00 KG UNIT GROSS WEIGHT	HIGH-POWER LED	3.000°K WARM-WHITE	2X90°	250	50.00	STAINLESS STEEL